

INSTRUCTIONS FOR USE: 70-143 V03 030120

Uno-M-Step.

Intended use:


This desk/table has been designed exclusively for use in schools and is therefore intended solely for this purpose. Any other use that goes beyond the intended purpose (e.g. in workshops, storage areas or damp locations) is classed as not in accordance with the intended use. The company VS Vereinigte Spezialmöbelfabriken GmbH & Co. KG shall not be held liable for damage arising from such non-intended use.

General note on reading and storing the instructions:

Please read these instructions and in particular the notes on safety carefully and in full before using the products. Keep the instructions in a safe place for subsequent reference and pass them on to other users.

General note on safety:

We use the following symbols and notes in our assembly instructions:

 **Caution!** This symbol refers to an important note on assembly.

On the internet:

Alternatively, they can be downloaded: (see header title).

Standardize:

Tested according to DIN EN 1729 Part 1 + 2, size class 3 to 7.

Scope of delivery:

The product is delivered fully assembled.

Operation:

Follow the instructions on the following page.

Troubleshooting and service:

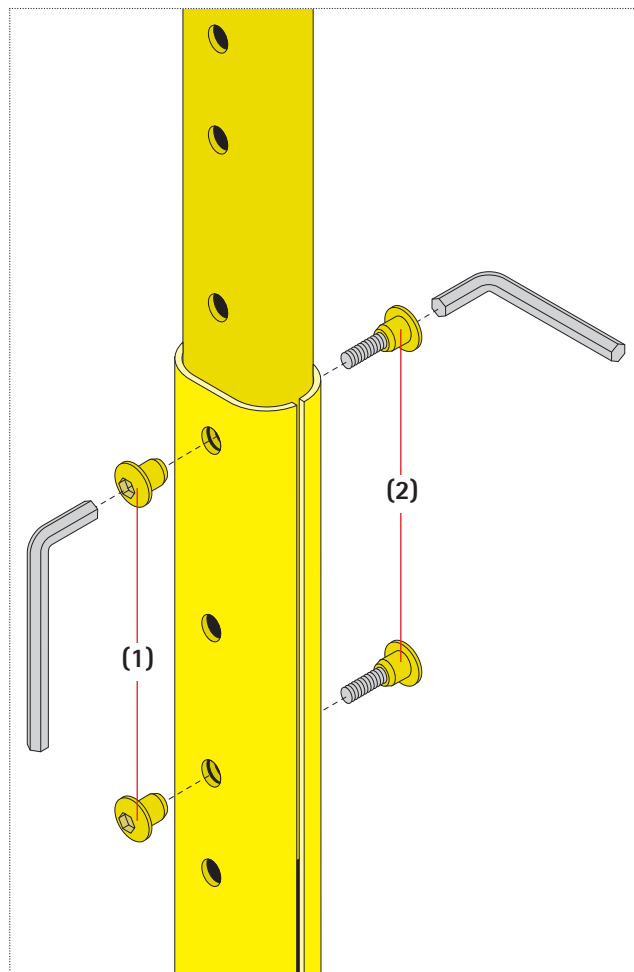
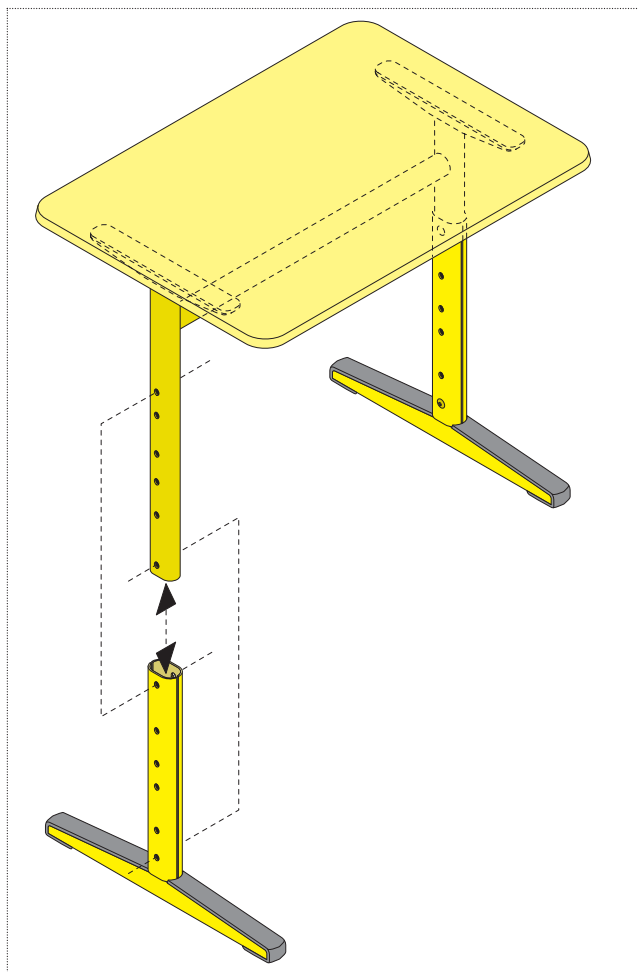
If faults occur, please contact our Aftersales Service kundenservice@vs-moebel.de

Maintenance and Cleaning

Glide elements are wearing parts and therefore not covered by the warranty furnished for the furniture. Worn, heavily fouled glide elements can cause damage to floor coverings. To ensure they work correctly, we recommend that you inspect and if necessary replace glide elements at regular intervals. On the internet: vs.de/kataloge/reinigung/en

Forwarding / disposal:

Also pass on these assembly instructions if the product is forwarded to another party. Please contact your relevant local authority for information on environmentally compatible disposal.



Adjustment.

Adjusting table heights.

Tools required: Two Allen keys WAF 5 (model 22499).

The tables are adjusted to a height prespecified in the job order. Subsequent height adjustment:

- Release and remove the two sleeve nuts **(1)** in the side frame.
- Remove load from the table and pull out the two threaded pins with sleeve nuts **(2)**.
- Adjust in the hole grid to the desired table height according to DIN-EN-1729-1 in the size categories 3 to 7 (59, 64, 71, 76 or 82 cm) and reinsert the two threaded pins with sleeve nuts **(2)**.
- Screw in both sleeve nuts **(1)** again. Note: There must now be no play between the outer and inner tubes.

Caution!
 Make sure the screwed connection is firmly seated!

- Proceed to adjust the second table leg in the same way.

The indicated electric and electronic components must not be disposed of with the ordinary waste.

They must be removed from the furniture unit before the unit is sent for disposal.

They are to be disposed of at authorized collection and return points.

